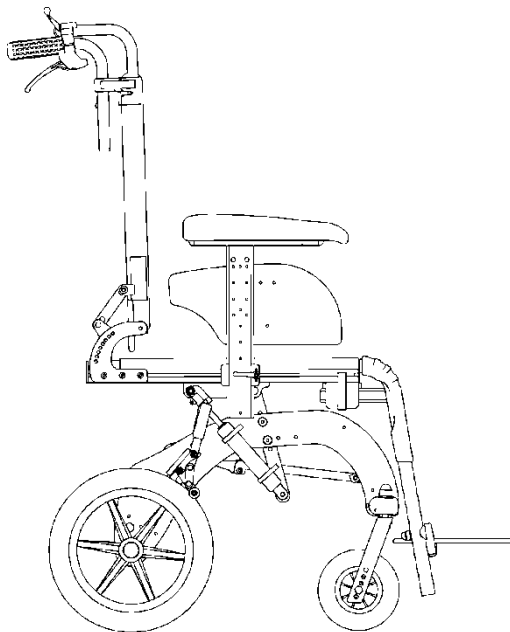


LEVIA KID



USER MANUAL

With CE Mark Statement

DECLARATION OF CONFORMITY



The manufacturer

Neatech.it

4/A, A. De Curtis St. 80040 Cercola (NA) Italy

under its responsibility, states that

the wheelchair Levia Basculante Kid

satisfies the conditions laid down by European Directive 93/42;
according to the criteria for classification of annex IX of this Directive, the Levia
Basculante Kid is classified as

class I medical device

It also complies with the requirements of the harmonized standards:

UNI EN 12182 Ausili tecnici per persone disabili

UNI EN 12183 Sedie a rotelle a propulsione manuale

TABLE OF CONTENTS

WHEELCHAIR PRESENTATION	1
STARTING UP.....	2
ADJUSTMENTS	9
ACCESSORIES.....	20
MAINTENANCE AND ASSISTANCE	29



TIPPING HAZARD

Any transport on a slope greater than the maximum security slope can be dangerous.



TEMPERATURE

The temperature of some surfaces may increase when the chair is exposed to external heat sources as sunlight



DISPOSING

This product and all its components cannot be treated as household waste. For more detailed information on how recycle this product contact your local waste disposal service

1. WHEELCHAIR PRESENTATION

Thank you for choosing our product.

The aeronautical technology, used to manufacture all Neatech.it products, made possible to create rigid and foldable frame highly customizable and reliable.

Frame and canvas are available in different colors.

Features

- ***Aluminum alloy structure***

- ***Folding frame***

Opening and closing of the wheelchair are performed with a crossbar patented system

- ***Adjustable brakes***

Brakes are adjustable according to wheel's diameter

- ***Adjustable armrests***

- ***Removable footrests***

- ***Dynamic tilting***

The angle between the seat and the backrest remains fixed while tilting

- ***Customizable colors***

WARNING: It is prohibited to use the wheelchair or its parts for any purpose other than that indicated; for a correct use please follow the instructions given in this manual. **NEATECH.IT disclaims any responsibility for damages caused by improper use of aids.**

WARNING: The information contained in this manual may be subject to change and without prior notice.

2. STARTING UP

Checks to be made on delivery

- Check for the integrity of the original packaging

INSIDE THE BOX THERE IS:

Wheelchair **Levia Basculante Kid**

Footrest

N. 2 armrests

Documentation

- Check for any anomalies on the shipping documents.
- Check the functionality and integrity of the device in all of its parts, at the time of or immediately thereafter, to ensure that no damage is caused by a careless transport.
- Make sure the surface of the device is not damaged, scratched, bended, etc.
- Any fault or damage found must be immediately reported on the shipping documents and promptly communicated to the carrier. For any other questions, please contact the manufacturer.
- If you don't want to use the Levia Basculante Kid for a long time, store it in a safe place free from dust and moisture

2. STARTING UP

The wheelchair is shipped already assembled with closed frame. For the opening it will be sufficient to remove the sides of seat and apply a slight pressure on the handle placed on the element that joins the cruises as shown in Figure 1.

The wheelchair has reached the maximum opening when you can hear a snap.

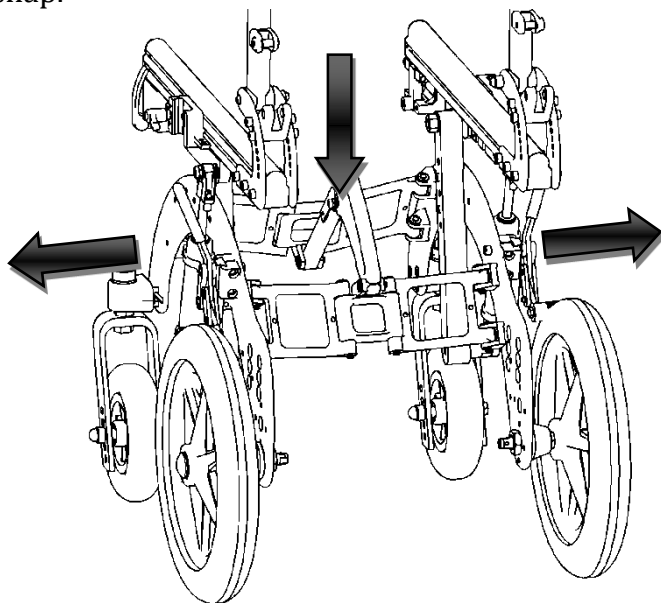


Figure 1

WARNING: A wrong grip of the handle can cause injury to hands

2. STARTING UP

Once opened, the frame you need to assemble the tube for the headrest and the footrest. Regarding the tube for the headrest it is necessary to introduce it in the tubular as shown in Figure 2. To facilitate the operation slightly dilate the tubes of the seat. Then tighten the locking levers saddle (L1).

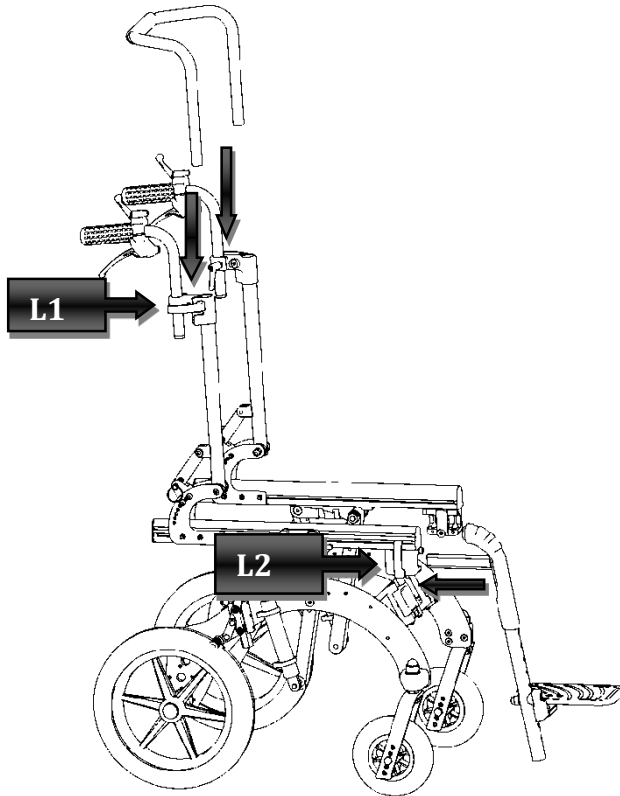


Figure 2

To assemble the footrest introduce the extension in the housing as shown in Figure 2 and tighten the locking levers saddle (L2).

2. STARTING UP

If you have ortho extensible footrest the assembly is different. Ensure the engagement of the footrest (AP) in the appropriate housing (S) as shown in Figure 3 and then rotate towards up to the next step of the pin as in Figure 4.

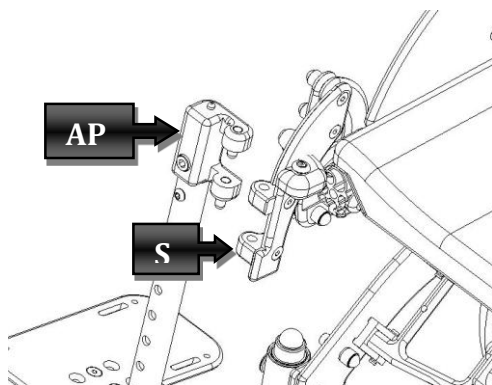


Figure 3

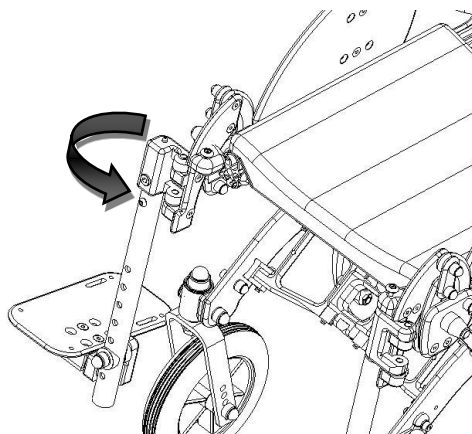


Figure 4

2. STARTING UP

Assembled wheelchair – standard version

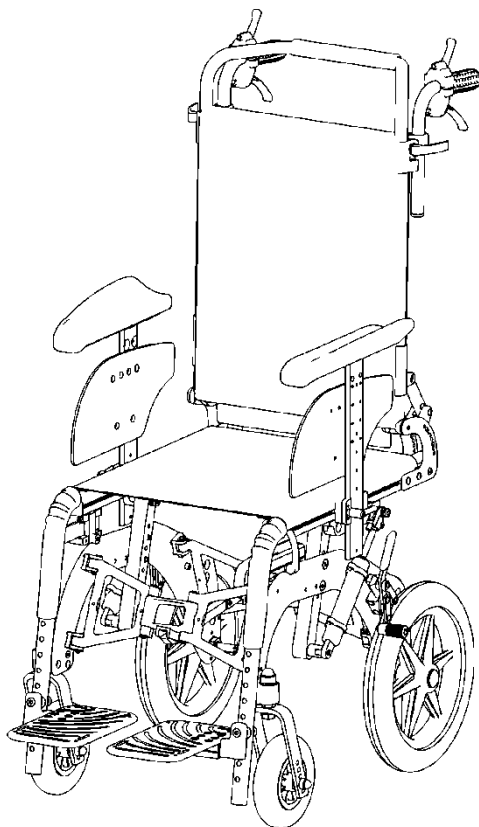


Figure 5



DISPOSAL OF PACKAGING

To correctly recycle the packaging materials of Levia Basculante Kid follow the instructions provided by the local waste disposal service.

2. STARTING UP

Checks to be made before use

Here are some checks to be made to safely use the wheelchair.

- **Frame check**
Check for the proper opening of the frame before each use of the chair

WEEK CHECKS

- **Pressure control**
If mounted wheels are pneumatic verify that their pressure is equal to the value indicated on the tire.
- **Brake check**
Check that the brakes are working correctly
- **Gas spring check**
Check that the two gas spring for the tilting don't leak oil

MONTHLY CHECKS

- **Tighten screws of the frame**
Check the tightness of all screws of the frame.
For this operation please contact your supplier.

2. STARTING UP

Use of the brake

To lock the brakes use the lever (L) shown in Figure 6. In this way the wheelchair is blocked against any involuntary movement. Repeat this operation for both rear wheels.



WARNING

When operating the brake, act always on both the right lever and the left lever. The use of the wheelchair with only one locked wheel may result dangerous.

On request the Levia Basculante Kid can be equipped, in addition to the normal brake described above, with drum brakes.

In this case to operate them, act on the lever normally placed over the backrest (see Figure 7)

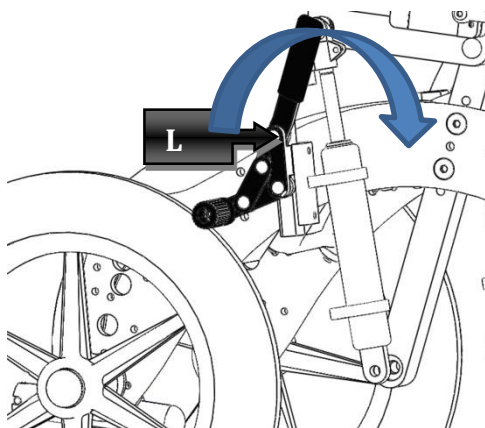


Figure 6

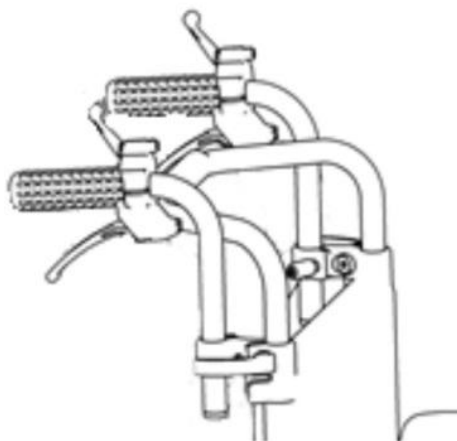


Figure 7

3. ADJUSTMENTS

Tilting

The tilting of the seat is controlled by two gas spring. They allow you to vary the inclination of the seat in a continuous way and choose the most suitable position for the user.

To perform the tilting just make a pressure upward simultaneously on the two levers (M) located under the push handles (see Figure 8) and push down these one.

When you reached the desired angle of inclination, just leave the levers. The seat will lock in the chosen position.

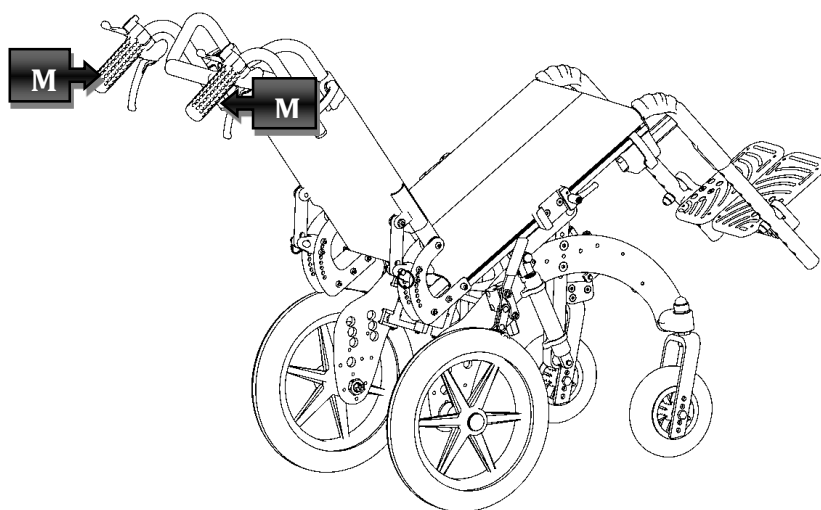


Figure 8



During the operations of tilting make sure that the elbows are resting on the appropriate armrests to eliminate the risk of entrapment

Armrests

3. ADJUSTMENTS

For the armrests you can make two different adjustments: height and depth. Let's begin to see how to assemble the armrest. It is sufficient to introduce it in the housing as shown in Figure 9 below and fix it by turning the lever (L).

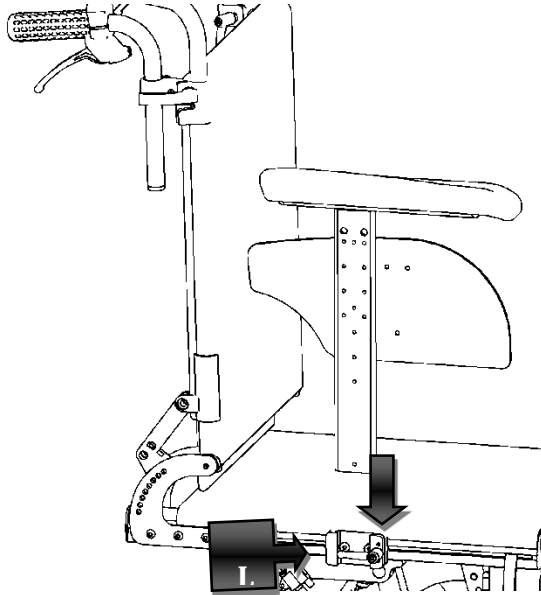


Figure 9



Never sit on the arms

3. ADJUSTMENTS

For the adjustment of the armrests in height it is necessary to intervene on 3 screws shown in Figure 10 to adjust the side panel to the desired height and then act on the lever (L) indicated in Figure 9.

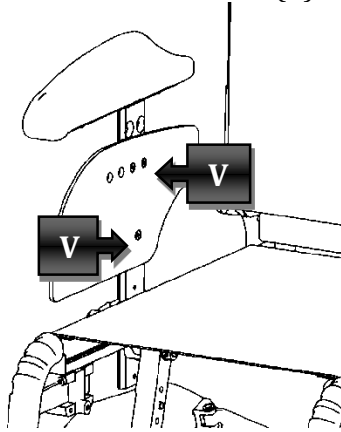


Figure 10

As for the depth adjustment it is necessary to remove the armrest and act on the screws shown in Figure 11. Then mount again the armrest.

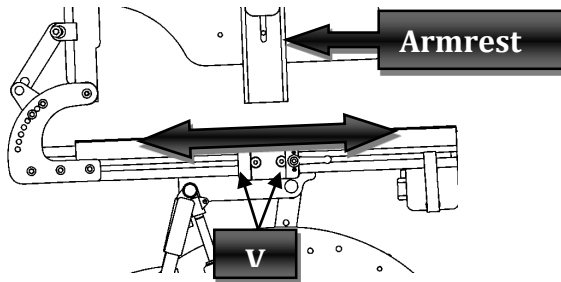


Figure 11

3. ADJUSTMENTS

Fixed backrest

For the best comforts you can adjust the backrest depth as shown in Figure 12 using the screws **(V)**.

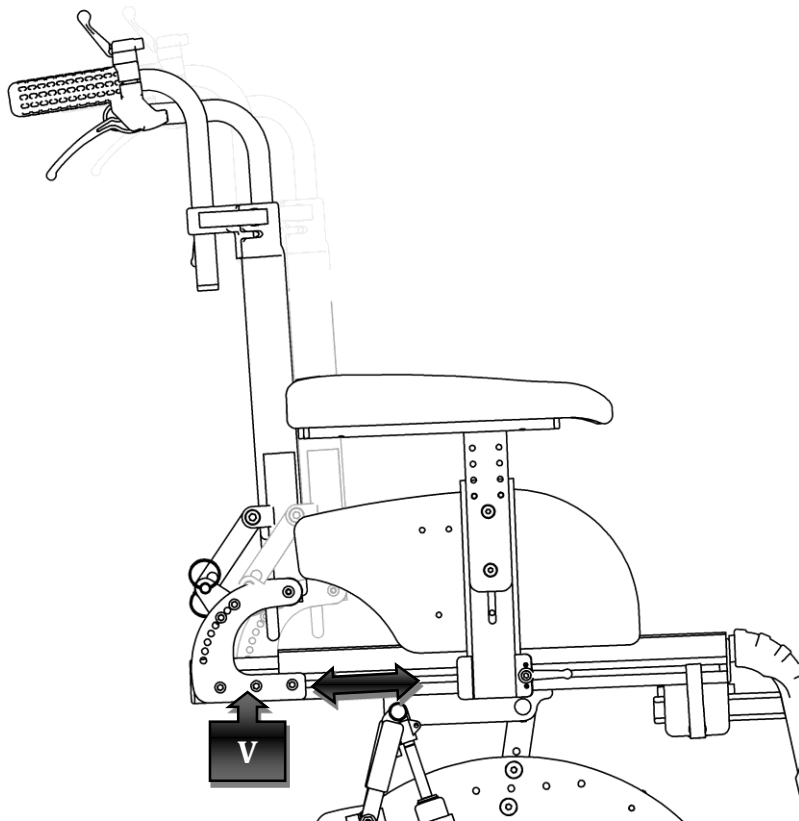


Figure 12

3. ADJUSTMENTS

Dynamic reclining backrest with gas springs

With the dynamic reclining backrest with gas spring you can vary the angle of inclination acting on the levers (L) located above push handles shown in Figure 13.

Apply a slight downward pressure and release when you reach the desired angle.

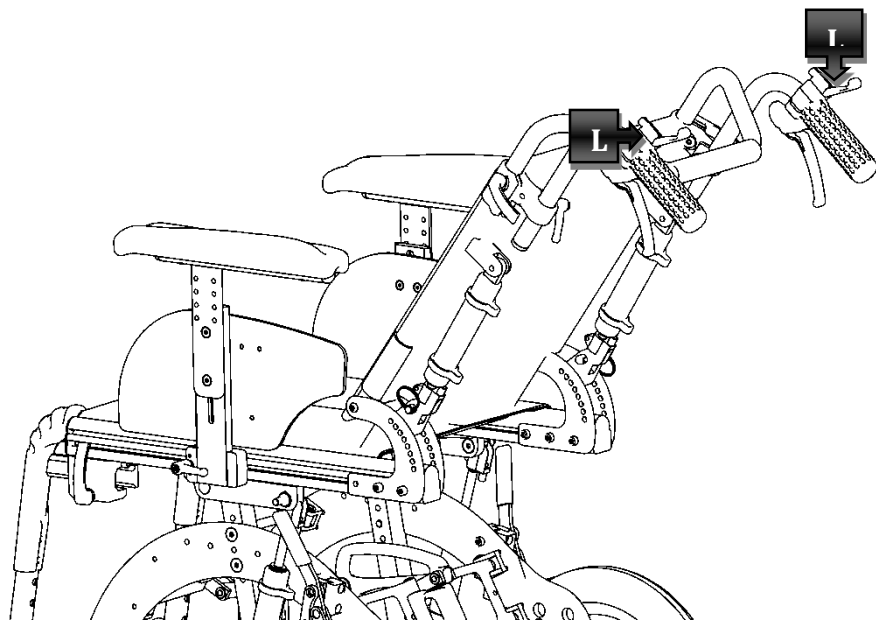


Figure 13

3. ADJUSTMENTS

Spring backrest

To activate the springs in the backrest it is necessary to apply some upward pressure on the levers (I) placed under the handles as shown in Figure 14.

WARNING: in this configuration the tilting can be realized by acting on the levers (L), shown in Figure 14, placed above the push handles.

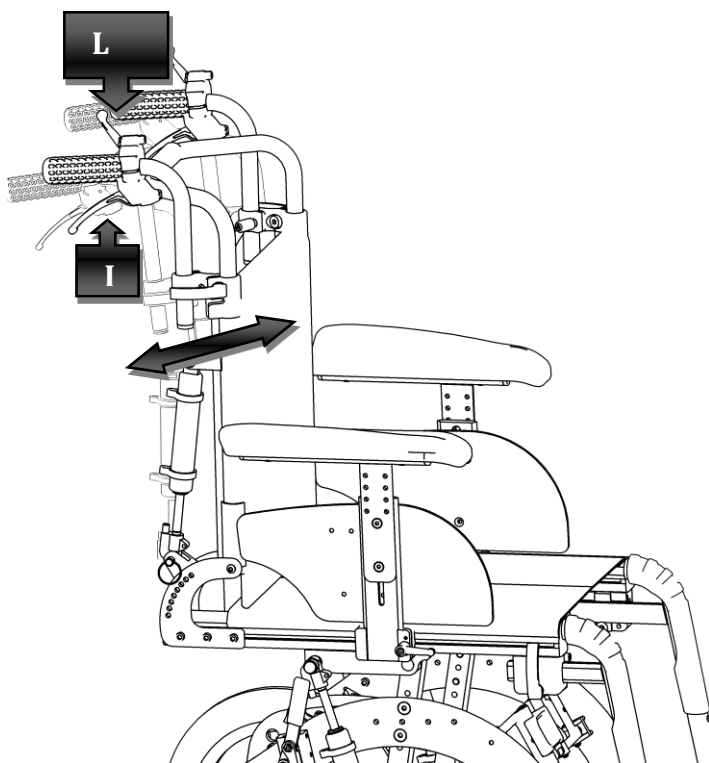


Figure 14

3. ADJUSTMENTS

Splitted footrests

- **Inclination**

By loosening the screws shown in Figure 15 it is possible to adjust the tilt of the footrest: simply rotate it until it reaches the desired position.

Tighten again the screws.

- **Depth**

To adjust the depth of the footrest unscrew the screws shown in Figure 15, place the footrest in one of three designated locations. Tighten again the screws

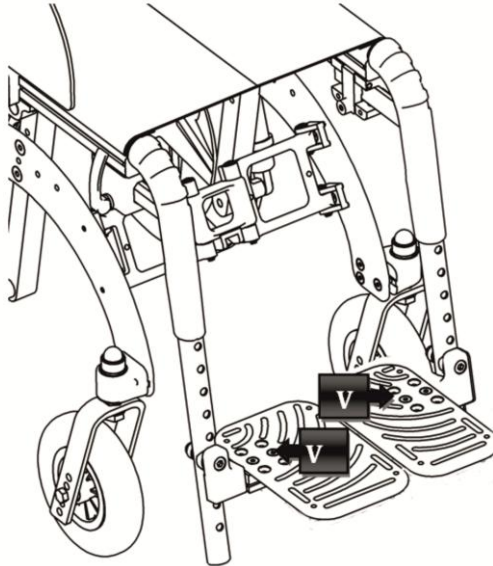


Figure 15

3. ADJUSTMENTS

- **Height**

To make an adjustment in height of the footrest it is necessary to act on the screws (V) shown in Figure 16 and fix them to the desired height.

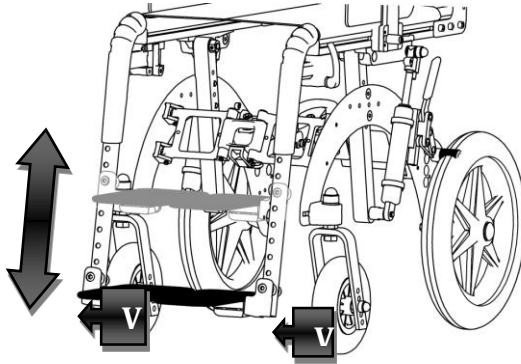


Figure 16

- **Folding**

Furthermore, the footrest can be easily folded as shown in Figure 17.

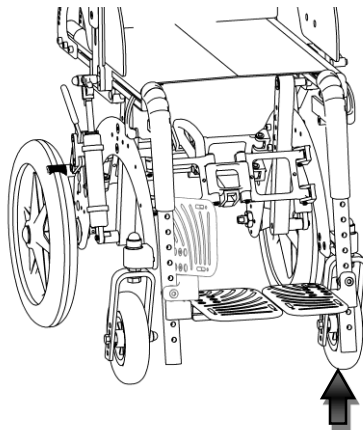


Figure 17

3. ADJUSTMENTS

Single footrest

For the single footrest the way to make adjustments is the same. Act on the four screws (V) to guide the angle and depth of the footrest and on four screws (V1) to adjust height as shown in Figure 18.

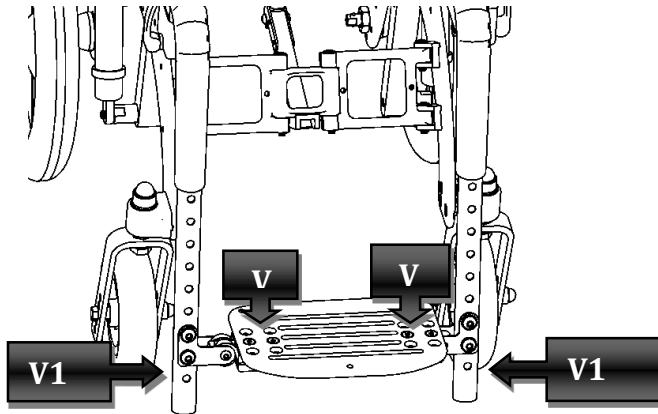


Figure 18

To reverse the footrest push it upwards as indicated by the arrow in Figure 19.

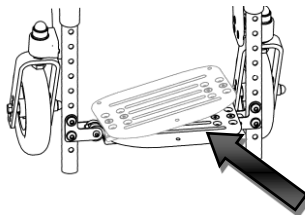


Figure 19

3. ADJUSTMENTS

Wheelchair height adjustment

It is possible to make height adjustment of the seat simply by acting on the two screws (V) shown in Figure 20 on both sides.

You can even get an asymmetric position of the seat adjusting independently the two sides.

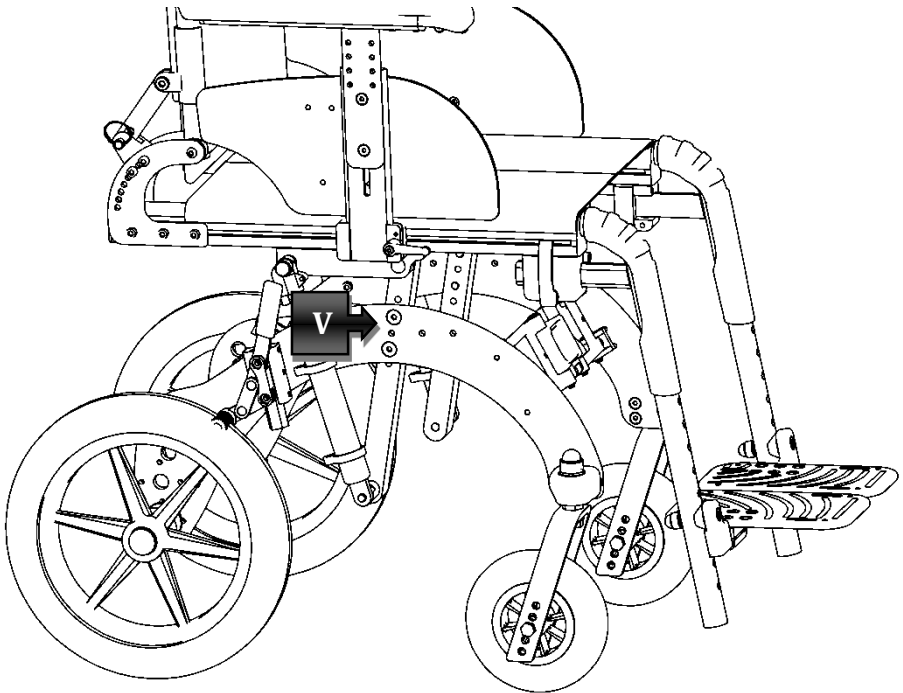


Figure 20

3. ADJUSTMENTS

Elevation of ortho extensible footrest

The elevation of the footrest can be performed by acting on the lever (L) and rotating the footrest as shown in Figure 21.

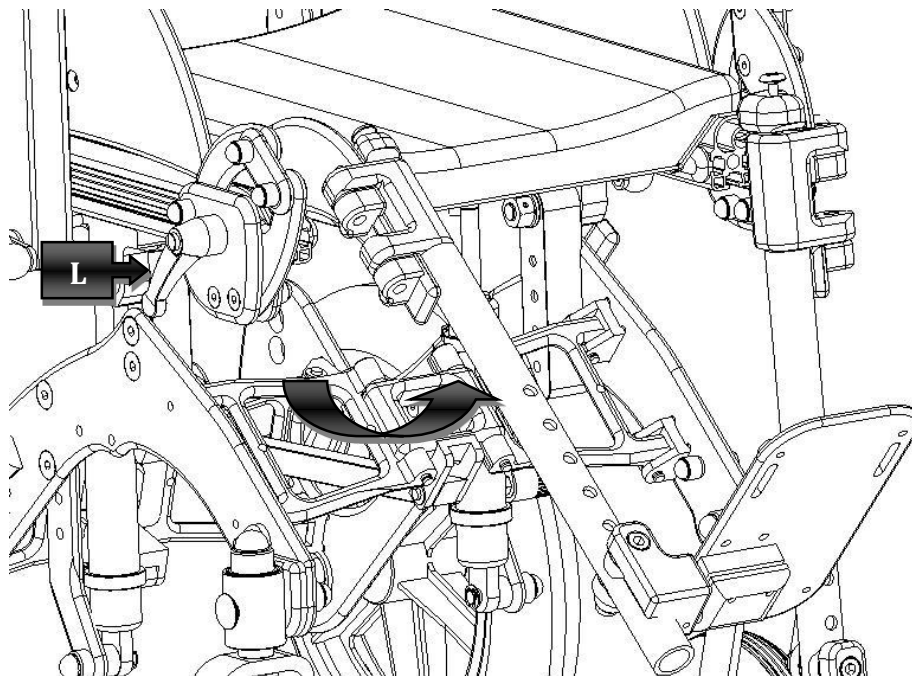


Figure 21

4. ACCESSORIES

The Levia Basculante Kid can be supplied with a series of accessories that enhance the usability by the user.

Anti-tip device

You can buy the wheelchair with anti-tip device. These can be turned in presence of a slope or other.

You have to pull the tube and rotate it as shown in Figure 22.

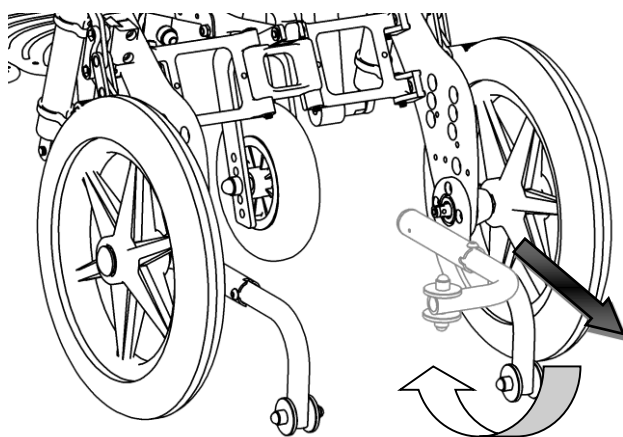


Figure 22

4. ACCESSORIES

Unbalancing lever

You can buy the wheelchair including unbalancing lever, which is useful to facilitate overcoming any obstacles (such as a sidewalk). It is sufficient the companion simply apply a force with a foot on the unbalancing lever as shown in Figure 23 allowing front wheels to rise and overcome the obstacle.

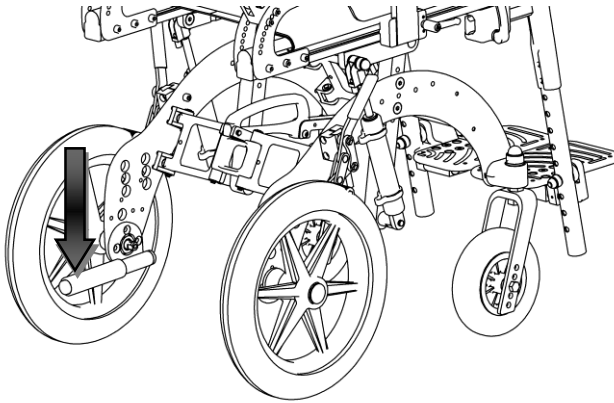


Figure 23

Pommel

You can buy the wheelchair with the pommel. As you can see in Figure 24 it is useful for a correct positioning of leg.

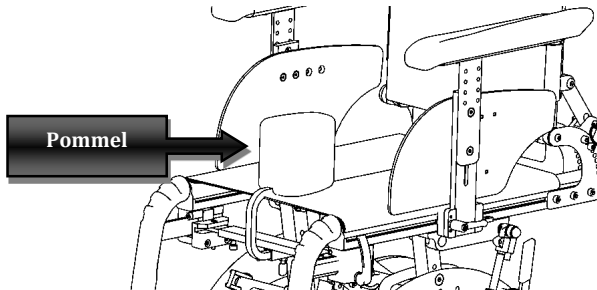


Figure 24

4. ACCESSORIES

Headrest

The wheelchair can be fitted with 3 different headrest: one in fabric, one padded and one adjustable and orientable. You can see first two of these in Figure 25.

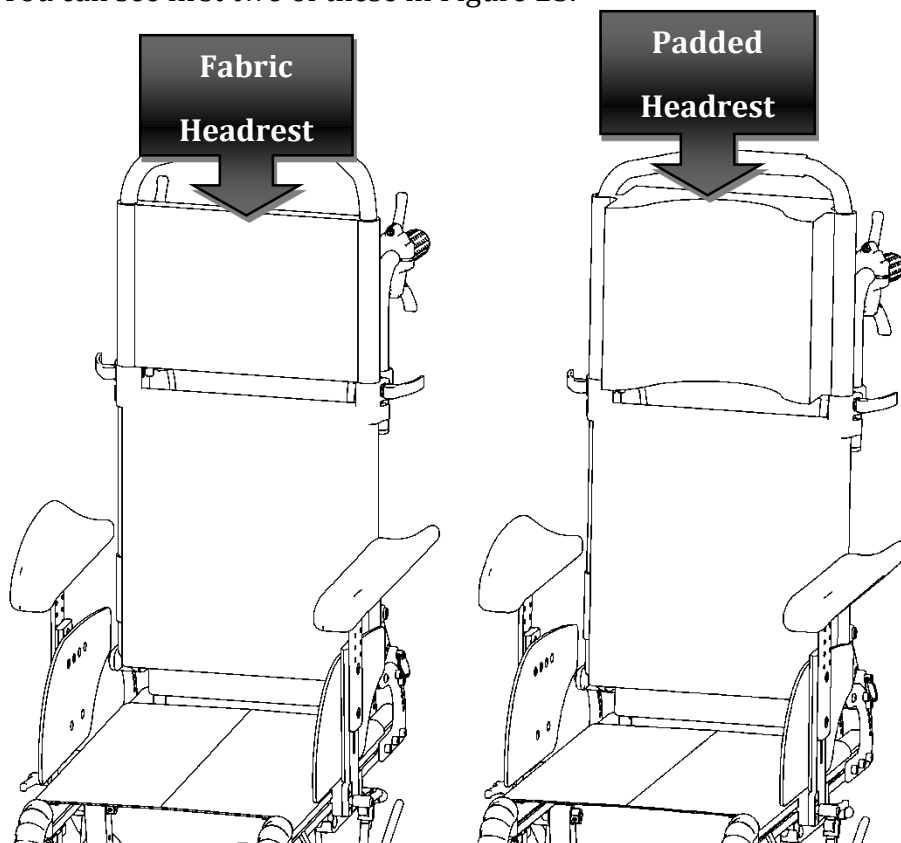


Figure 25

4. ACCESSORIES

With adjustable headrest you can make different types of adjustments:

- Height adjustment
- Cushion rotation: acting on the cushion you can orient it as shown in Figure 26
- Depth adjustments: acting on the handle (M) indicated in Figure 26 it is possible to make the headrest more or less protruding.

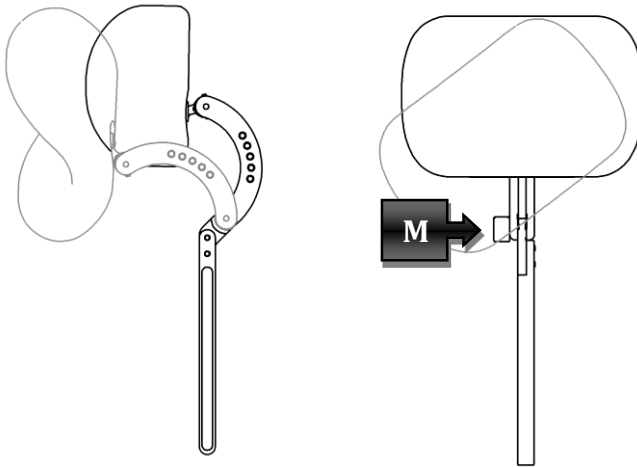


Figure 26

4. ACCESSORIES

Rear wheels

The dimensions for rear wheels are: Ø300, 20", 22", 24".

Only with 20", 22" and 24" wheels you can also have the handrail.



Check the correct placement of the rear wheels

The locking system of the wheels, when it is correctly inserted, it make a click.

Front wheels

Available dimensions for front wheels are:: Ø100 (polyurethane), Ø125 (polyurethane), Ø150 (polyurethane), Ø175 (polyurethane or pneumatic).

4. ACCESSORIES

Plexiglas transparent tray

The wheelchair can be equipped with a Plexiglas transparent tray. It is removable.

To remove it act on the handle (M) shown in Figure 27.

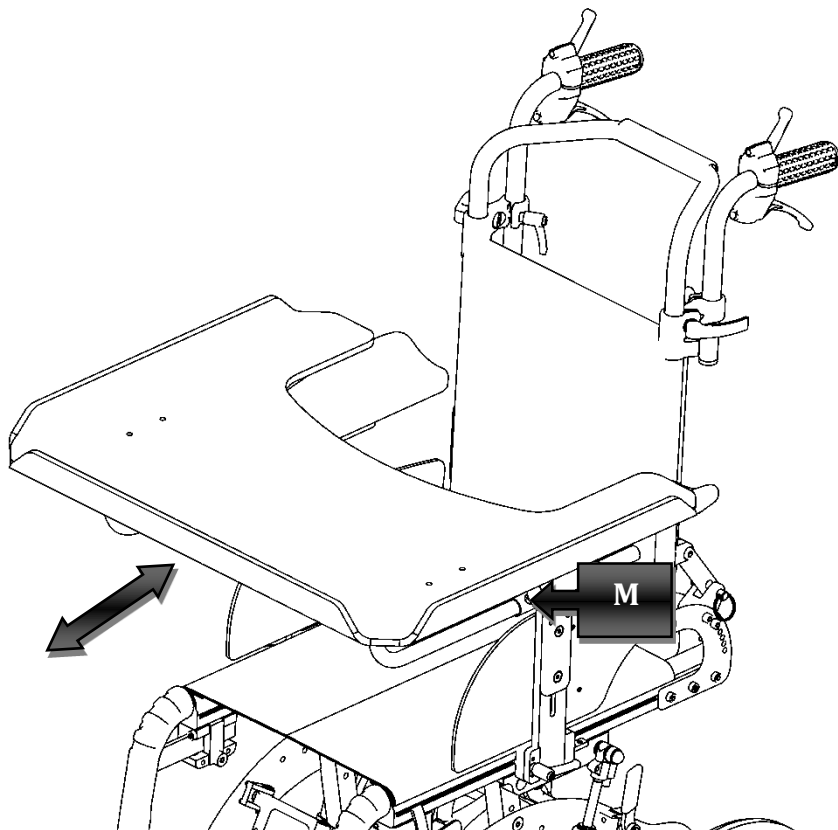


Figure 27

4. ACCESSORIES

Hooks for local travel (four-point tie-down)

The wheelchair was tested when used as a front-facing seat in a motor vehicle, meeting the requirements of ISO 7176-19



The way of access to the motor vehicle and handling within it is influenced by the size of the wheelchair.

For a safe use of the wheelchair as a seat in a motor vehicle please follow this instructions:

- It is recommended to use the pelvic seat belt along the front of the pelvic area, so that the angle of the belt is between 30° and 75° from the horizontal, as shown in Figure 28; a greater angle, always in the expected range, is preferable.

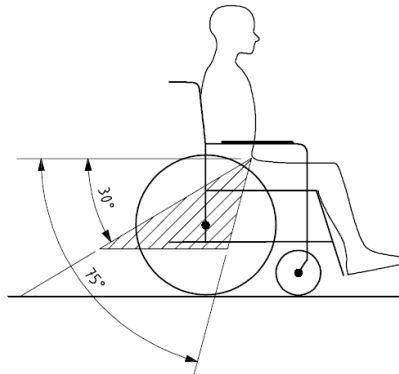


Figure 28

4. ACCESSORIES

- You should keep your seat belts as tight as possible to the body, but without affecting user's comfort
- Make sure that the belts are not twisted during use
- It is recommended to use both the pelvic belt and the shoulder belt to reduce the possibility of impact of the head and chest with vehicle components.

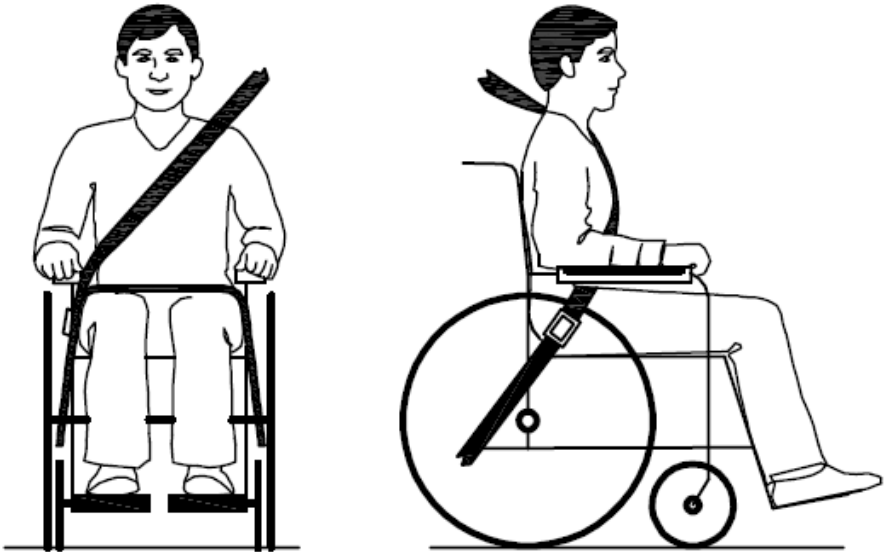


Figure 29

- Remove and assure inside the vehicle any accessory from the wheelchair, for example the Plexiglas tray, in order to reduce the potential risk of injury.

4. ACCESSORIES

- If the wheelchair has been involved in some type of collision between vehicles, it must be tested by the manufacturer before re-use.
- Don't make any alteration or tampering on point of safety or structural parts.
- Use extreme care when positioning the wheelchair, so that the release button of the seat belt can not be pressed by its components in case of impact.
- The hooks that can be used with the wheelchair are of the type "Four-Point Tie-Down". The wheelchair will be hooked up inside the motor vehicle in 4 points: 2 front and 2 rear, as shown in Figure 30.

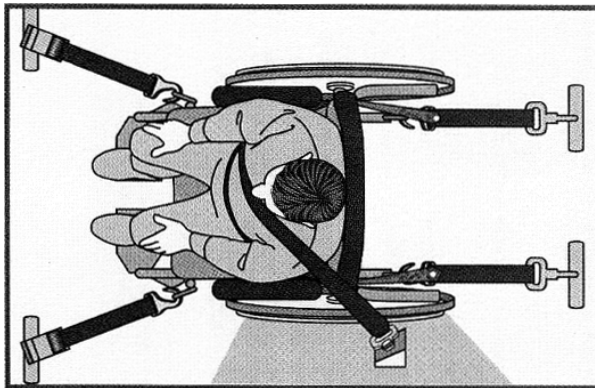


Figure 30



Don't use any postural support in a motor vehicle unless they are conform to ISO 7176-19.

5. MAINTENANCE AND ASSISTANCE

Remember that the wheelchair is intended exclusively for the transport of seated people and should be used with footrests and armrests mounted. Here are some suggested precautions for a safe and long duration of the wheelchair.

- Avoid prolonged contact of the wheelchair with the water. It may determine oxidation of metal parts
- Don't sit on the armrests.
- Avoid long exposure of the wheelchair to sunlight.
- Don't expose the wheelchair at temperatures below -5°C and above $+40^{\circ}\text{C}$
- The headband also has a structural function, so it is forbidden to use the wheelchair without it.
- Check before using the wheelchair the correct engagement of rear wheels, making sure that the button of the axis is completely protruding.
- Keep the pressure of wheels to recommended values. With flat tires the brake loses its effectiveness.
- Don't lift the wheelchair with a person by grabbing footrest. If you really need to do this, it is suggested to lift the wheelchair through the lateral sides.
- Don't carry the wheelchair on too steep slopes without anti-tip device.
- Check that the gas springs don't leak oil.

5. MAINTENANCE AND ASSISTANCE

Maintenance and cleaning

Regular maintenance helps to preserve functionality and safety of the wheelchair. The lack or inadequacy of care and maintenance implies a limitation of the warranty from the manufacturer.

To clean the wheelchair don't use any device to spray water at high pressure. For plastic or metal parts use a soft cloth moistened with a non-aggressive detergent.

Don't use chemical cleaners, solvents, acids, etc.

Tires can be cleaned with water and detergent.

Serial number

For any report or assistance request communicate the unique identification code that is on the frame of each Levia Basculante Kid.

Spare part list

<ul style="list-style-type: none">• Front wheels.	<ul style="list-style-type: none">• Armrests
<ul style="list-style-type: none">• Rear wheels	<ul style="list-style-type: none">• Bushing for driving wheel
<ul style="list-style-type: none">• Footrest	<ul style="list-style-type: none">• Bearings.
<ul style="list-style-type: none">• Backrest canvas	<ul style="list-style-type: none">• Front forks.
<ul style="list-style-type: none">• Seat canvas	<ul style="list-style-type: none">• Side panels
<ul style="list-style-type: none">• Handles	<ul style="list-style-type: none">•

NOTE: for any other problem, contact the manufacturer

5. MAINTENANCE AND ASSISTANCE

Specifications

Maximum allowed mass	100 kg
Working temperature	da -10 °C a 40 °C
Intended use	The wheelchair Levia Basculante Kid is intended for those group of users that are limited to a sitting position and have the possibility and the need to move in areas predominantly inside.
Dimensions	width from 48 cm to 54 cm length 64 cm height 97 cm
Empty weight	16 kg
Maximum safety slope	17°

5. MAINTENANCE AND ASSISTANCE

Warranty terms

The Levia Basculante Kid is a product globally guaranteed for 24 months. The warranty covers defects in materials or workmanship. The warranty doesn't cover parts subject to usury or damaged parts by: overload, misuse, alterations and repairs made by unauthorized third parties.

The warranty expires in case of tampering, improper storage, unauthorized or incorrect maintenance.

MODEL:	Levia Basculante Kid
SERIAL NUMBER:	
DATE OF CONSTRUCTION:	

USER MANUAL

LEVIA BASCULANTE KID

NEATECH.IT

Our Mission is transfer technology and solution from the aerospace industry to disability sector.

We are proud to offer the highest quality products and solution on the market



www.neatech.it